



777000 SERIES MOTORIZED PUMPS

For Oil or Grease
Dual Line System.

777005 777271 777572
777060 777304 777207
777010 777311 777521
777040 777510 777083
777020 777560 777273
777535 777584

ENGLISH

PRODUCT DATA SHEET

DESCRIPTION:

Suitable for Oil or Grease. Maximum pressure 500 Bar (7250 psi.). The Dropsa 777000 series modular motorized pump is suitable for a wide range of applications. Once installed it is a simple operation to adjust the pressure and adjust lubricant output (using a flow control) **Part No. 3293060.**

The assembly consists of:

Motor and reduction unit.

Pump.

Reservoir.

Valves and delivery unit.

Pressure gauge.

Charging filter.

A trolley mounted version is also available. The modular construction of the pump assembly uses common components throughout the range and therefore reduces spares holding.

The double pump body has two outlets which can either be combined together for one outlet or feed to two independent systems.

In the case of a Dual Line System the two pump outlets would operate an inverter.

Access to the pump is simple through the reservoir lid or through the covers surrounding the pump and reduction unit.

Re-filling of the reservoir is recommended through the charging filter to eliminate any ingress of contaminants. The frequency of operation can be monitored with Dropsa Control Panels or through the machines P.C.

SPECIFICATION:

Lubricant: Oil or Grease.
Delivery *: 130 cc/min. (8 cu.in/min.) with 1500 r.p.m. 4-pole motor.
Maximum pressure: 500 bar (7100 psi.).

(*) For pumps with different delivery please contact your supplier



Viscosity: Oil min. 100 cSt.
Grease max. 265 ASTM (NLGI 2)*.
(* For different type of grease please contact your supplier)

Pump: Double body type 4 pistons.
Delivery line: Single or double.
Reservoir capacity: 10, 30 & 100Kg. (22, 66 & 220 lb.)

Three phase motor: 220/380V 50/60Hz. 4 poles. 1500 r.p.m. 0.37kW up to 0 °C (+32 °F), 0.75kW up to -30 °C (-86 °F). Specify voltage and frequency when ordering.

Protection: IP44.
Reduction unit: 1:15 ratio.
Temperature range: Refer to motor type values

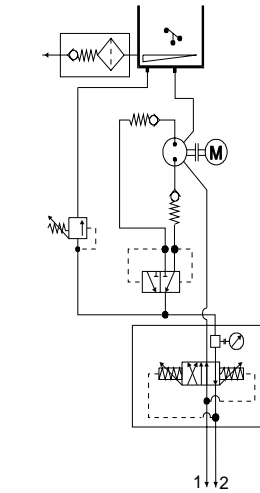
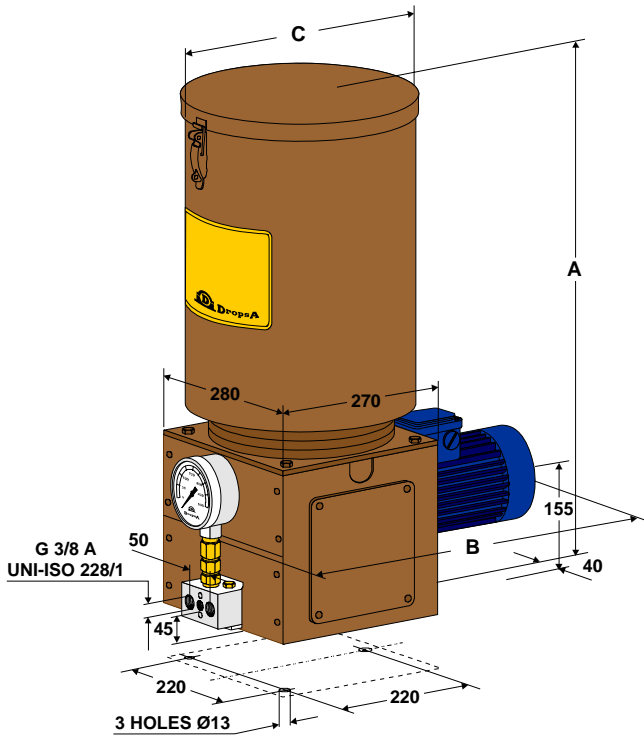
ORDERING INFORMATION:

Ordering is by Part No. Please refer to the this table:

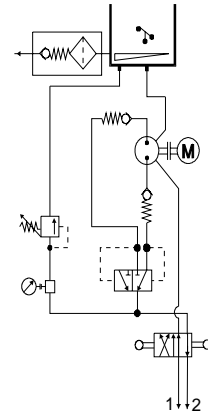
Reservoir Kg.	Reverser	Grease		Oil	Pump weight Kg.	
		With impeller unit for hard grease			Complete with minimum and maximum level	Oil
		1	2			
10	mechanical	777005	777393	777510	31,5	35
	hydraulic	777060	-	777560		
30	mechanical	777010	777207	777521	35	40
	hydraulic	777040	777273	777572		
100	mechanical	777020	777271	777535	42,5	50
	hydraulic	777083	-	777584		

- Motor 0,37 kW.
- Motor 0,75 kW.

Hydraulic diagrams:



WITH HYDRAULIC REVERSER



WITH MECHANICAL REVERSER

INSTALLATION/OPERATION:

Reservoir Kg.	Dimensions mm.		
	A	B	C
10	580	520	262
30	760	520	320
100	985	520	451

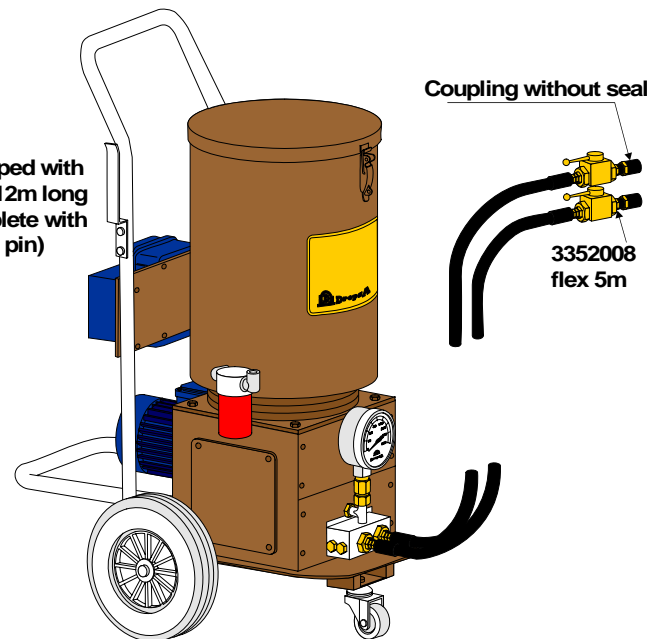
MOBILE VERSION WITH TROLLEY, HOSES, QUICK COUPLINGS AND SHUT-OFF VALVES:

The pump has a standard kit identical to the other version Plus hoses, quick copulings and shut-off valves.

OVERALL DIMENSIONS:

Height: 1017 mm.
Width: 475 mm.
Depth: 730 mm.

Equipped with hose 12m long (complete with safety pin)



Motor	No. of poles/RPM	Part No. with reservoir.		Pressure Bar (Mpa)	Delivery Cm ³ /min.
		10Kg. (10daN)	30Kg. (30 daN)		
Three phase 220/380 V 50Hz.	4	777959	777961	200 (20)	130
Three phase 220/380 V 50Hz.	2	777962	777963	200 (20)	260
Single phase 220 V 50Hz.	3000 rpm.	777964	777965	200 (20)	200

ITALY
Dropsa SpA
t.(+39) 02-250791
f.(+39) 02-25079767

U.S.A.
Dropsa Corporation
t.(+1) 586-566-1540
f.(+1) 586-566-1541

BRAZIL
Dropsa
t.(+55) 011-563-10007
f.(+55) 011-563-19408

AUSTRALIA
Dropsa Australia Ltd.
t.(+61) 02-9938-6644
f.(+61) 02-9938-6611

SPAIN
Polydrop, S.A.
t.(+34) 93-260-22-50
f.(+34) 93-260-22-51

U.K.
Dropsa (UK) Ltd
t.(+44) 01784-431177
f.(+44) 01784-438598

GERMANY
Dropsa GmbH
t.(+49) 0211-394-011
f.(+49) 0211-394-013

FRANCE
Dropsa Ame
t.(+33) 01-3993-0033
f.(+33) 01-3986-2636