

MOTOR-DRIVEN GEAR PUMP Series 340

User and Maintenance Manual

Original text translation

Warranty information

TABLE OF CONTENTS

1. INTRODUCTION
2. GENERAL DESCRIPTION
3. PRODUCT-MACHINE IDENTIFICATION
4. TECHNICAL CHARACTERISTICS
5. PUMP COMPONENTS
6. UNPACKING AND INSTALLING THE PUMP
7. PUMP OPERATION
8. TROUBLESHOOTING
9. MAINTENANCE PROCEDURE
10. DISPOSAL
11. ORDERING INFORMATION
12. DIMENSIONS
13. HANDLING AND TRANSPORTATION
14. OPERATING HAZARDS
15. PRECAUTIONS
16. WARRANTY INFORMATION
17. DECLARATION OF COMPLIANCE WITH STANDARDS
18. DROPSA LOCATIONS



1. INTRODUCTION

This manual refers to **Motor-driven Gear Pump, Series 340**.

You can find additional copies and newer revisions of this document from our website <http://www.dropsa.com>. Alternatively contact one of our sales offices.

This User and Maintenance Manual contains important information on health and safety issues for the personnel. It is recommended to attentively read this manual and carefully keep it in good condition so that it is always available to personnel requiring to consult it.

2. GENERAL DESCRIPTION

This *Motor-driven Gear Pump* has been designed to be used in mineral oil lubrication systems. The *340 Series* is particularly suitable for feeding lubrication systems.

Three basic versions of *motor-driven gear pump* are available:

- With built-in non-return valve. Equipped with non-volumetric injectors or dosing valves, for single line lubrication systems. Working pressure is < 20 bar (290 psi) in continuous or intermittent service - **System 01**;
- With built-in non-return valve, for feeding progressive dosing units. Working pressures are < 30 bar (435 psi) in continuous service and < 70 bar (1015 psi) in intermittent service - **System 26**;
- With built-in release valve, for feeding volumetric dosing valves in intermittent service lubrication systems. Working pressure is < 70 bar (1015 psi) in intermittent service - **System 04-06**.

3. PRODUCT - MACHINE IDENTIFICATION

Pump identification yellow label is located on the frontal side of the pump and contains pump serial number, input voltage and details of its operating parameters.

4. TECHNICAL CHARACTERISTICS

4.1 GEAR-PUMP

MOTOR			Three-phase	Single- phase
Revolutions per minute			1500	
By-pass calibration	Max Pressure on Intermittent Service*	LINE 01	5 bar (73.5 psi)	
		LINE 26	70 bar (1015 psi)	40 bar (588 psi)
		LINE 04-06	50 bar (735 psi)	
	Max Pressure on Continuous Service	LINE 01	5 bar	
		LINE 26	30 bar (435 psi)	20 bar (290 psi)
		LINE 04-06		
Flow rate			350 cc/min (21.35 cu.in./min)	
			500 cc/min (30.51 cu.in./min)	
Storage Temperature			-20°C ÷ +50°C (-4°F ÷ +122°F)	
Working Temperature			+5°C ÷ +40°C (+41°F ÷ +104°F)	
Operating Humidity			90% relative humidity	
Continuous sound pressure level			<70 dB(A)	
Oil Viscosity**			15 ÷ 1000 cSt (73.31 ÷ 4628 SUS)	

*With intermittent service at 50%, to obtain the maximum pump performance, a maximum time of 5 minutes must not be exceeded followed by a subsequent pause time of 5 minutes.

** Should it be necessary to utilise a different product, prior authorisation must be obtained from Dropsa S.p.A.

4.2 ELECTRIC MOTOR

Motor	Three phase	Single phase
Description	Special 220/380V, 240/415V,225/440V	220V (on request 110V)
Frequency	50-60 Hz	
Size	56	
Power absorption	90W approx.	
Protection grade	IP 55	
Insulation Class	F	
Continuous Service	S1	
Intermittent service (25%)	S3	-



WARNING: Operate the pump only with the voltage indicated on the product label and within the specific operating parameters.

5. PUMP COMPONENTS



Pump unit consists of:

- a **gear pump** serving the lubrication circuit;
- an **electric motor**;
- a **reservoir** (pump without reservoir are also available);
- a **suction filter**, filtering degree → 260 micron;
- an easily accessible **monobloc valve**, mounted external the reservoir and consisting of a by-pass valve which can be easily adjusted externally; a delivery fitting or connection both of G1/8 UNI-ISO 228/1 (1/8 BSP) with housing for double-cone and Ø6mm (Ø0.23 in.) pipe; a connection G1/8 UNI-ISO 228/1 (1/8 BSP) for the manometer; a non-return valve or a release valve for the functioning of systems with direct response dosing valves;
- a **manometer** for line pressure;
- a **minimum level contact**: *Magnetic type* - reversible float with contact normally closed (NC) on minimum level. Maximum switching power 50W ÷ 50VA; maximum switching voltage 220VAC, maximum current 3A. On request a minimum level and lubricant reserve supply indicator are available: fitted with floats and two switches (minimum and zero).

It can also be fitted with the following accessories:

- **Pressure switch**
Three versions may be mounted depending on the lubrication system and high/low working pressures (*see table par. 11.5*).
- **Control panel**
This control panel (single- or three-phase), called “VIP”, allows the monitoring of the different operating parameters: level and pressure switch alarms, working and pause cycles (refer to VIP controller *User and Maintenance Manual*).
- **Dual level contact**
Equipped with two floats which operate two contacts. The superior contact signals lubricant reserve supply while the inferior signals level zero. As a rule, the inferior contact is connected in a way which allows to use the same contact as machine stop-circuit.

6. UNPACKING AND INSTALLING THE PUMP



WARNING: The unit must be used, opened and repaired only by qualified personnel.

6.1 UNPACKING.

Once a suitable location has been found to install the unit, remove the pump from the packaging. Check the pump has not been damaged during transportation or storage. No particular disposal procedures are necessary as packaging materials are no dangerous for health or environment. However, packaging should be disposed of in accordance with regulations that may be in force in your area or state.

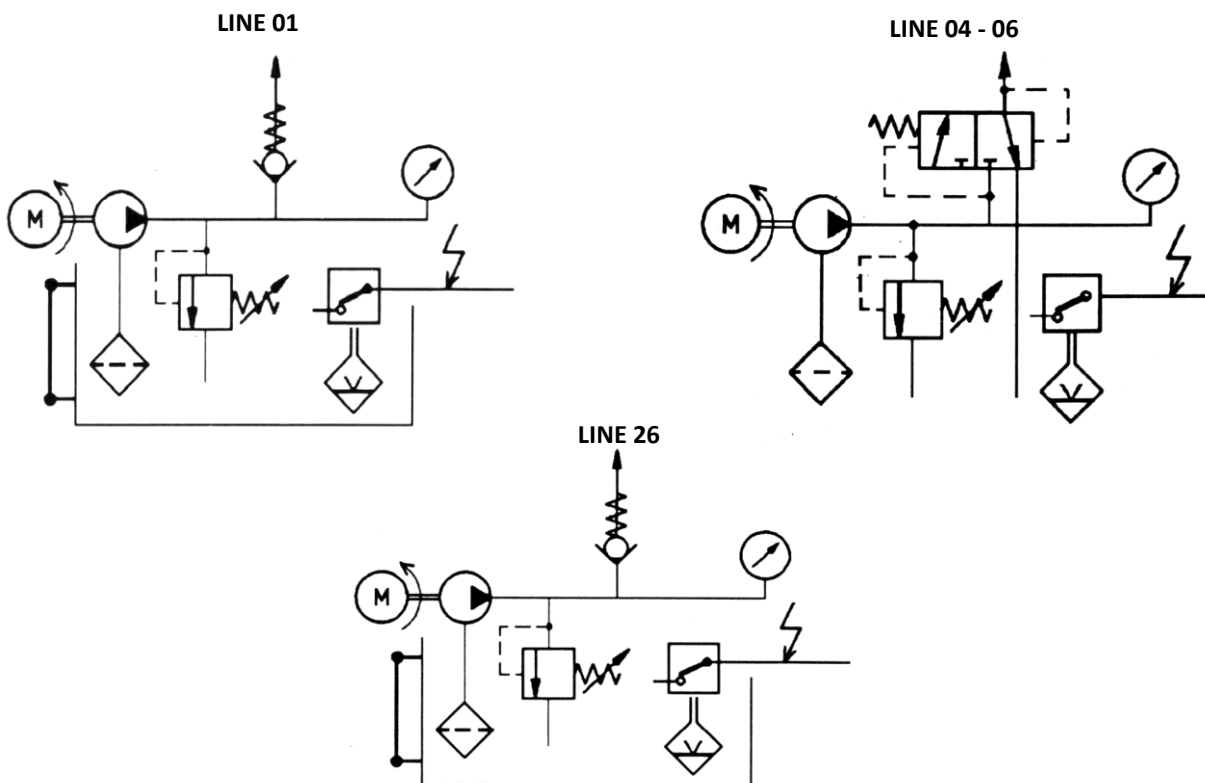
6.2 INSTALLING THE PUMP

- No pump assembly operations are envisaged.
- For wall mounting ensure adequate space (see dimensions diagram, *Ch. 12*) to avoid unnatural postures and possible impacts.
- Four fixing holes are provided with different characteristics depending on the pump version (For the correct fixing verify the distance between centres shown in the diagram *ch. 12*).
- First connect the pump hydraulically to the machine and then to the control panel.

6.3 HYDRAULIC FITTING

Gear pump is connected to valve block via $\varnothing 4\text{mm}$ ($\varnothing 0.15\text{ in.}$) nylon tubing.

HYDRAULIC CONNECTION DIAGRAM



6.4 PRESSURE ADJUSTMENT

Pressure is the only modifiable parameter. To adjust pressure, rotate the adjustment screw clockwise (to increase) or anticlockwise (to decrease).



WARNING: At the end of the all connecting operations, make sure that pipes are safe from impacts and carefully fixed.

7. PUMP OPERATIONS

7.1 PUMP START-UP

7.7.1 Prior to pump start-up

- Verify pump is undamaged.
- Check that electrical connections have been carefully carried out (CEI 64/8, IEC 364).
- Verify that pressure switch connection – mounted on reservoir - has been carried out at 24V.
- Verify that level and pressure switch connections to control panel have been correctly carried out.
- Refill the reservoir with compatible lubricant, (min/max lubricant indicator on reservoir).
- Check working temperature: MIN temperature +5°C (+41°F)

Unless otherwise specified by the customer, the minimum level indicator is supplied with the contact closed for minimum level. Should the user require to use a normally open contact, it will be necessary to open the reservoir and invert the operating direction of the float.

7.7.2 After pump start-up

- Switch ON the pump.
- Verify pump start-up.
- Check rotation direction of electric motor: if rotating in the wrong direction, invert the cable connections.
- Verify piping is air bubble- free.
- When using a VIP controller: verify the settings on the control panel.
- Verify machine correct operation.

If doubts exist as to machine correct functioning, please contact Eng. Dept. of Dropsa S.p.A. to request test procedures.

7.2 PRECAUTIONS TO BE TAKEN DURING CONNECTING PROCEDURE

- Prior to any operation, verify the voltage of the machine on the product label.
- In order to prevent dangers of electric shocks due to direct or indirect contact with the energized parts, electrical power supply line must be protected by a suitable magneto-thermal circuit breaker with an intervention threshold of 0.03 Ampere and 1 second minimum operating time. Circuit breaker power must be = 10 kV and nominal power $I_n = 6$ A.

8. TROUBLESHOOTING



WARNING: This unit can be opened and repaired only by authorized Dropsa personnel.

The following diagnostic table indicates the main anomalies which may be encountered, the probable causes and possible solutions.

If doubt exists or you cannot solve the problem, do not attempt to search for the trouble by disassembling parts of the machine but **contact the Engineering Department of DROPSA S.p.A.**

ANOMALY	PROBABLE CAUSE	SOLUTION
<p>Pump does not deliver oil. Pump delivers oil incorrectly</p>	<ul style="list-style-type: none"> • Pump is drawing off air because the reservoir is empty • Suction filter dirty or fouled • Internal connections are loose • Wear of the pump • Pressure adjusting valve loosening: before flowing down through the delivery valve, oil flows back immediately to the reservoir 	<ul style="list-style-type: none"> • Refill the reservoir and discharge air from the system • Wash the filter with petrol and blow compressed air through it • Tighten all connections ensuring there are no leakages • Replace the pump • Tighten the adjusting screw until oil flows out from the delivery valve
<p>Pump delivers oil at an improper pressure</p>	<ul style="list-style-type: none"> • Release valve damaged • Wrong calibration of the adjusting valve 	<ul style="list-style-type: none"> • Replace the valve • Pump outlet must be connected to a hose - approximately 300 mm (11.81 in.) long - with a manometer connected to the free end. Adjust pressure by turning the screw and reading the corresponding pressure value on the manometer
<p>Pressure in line not released</p>	<ul style="list-style-type: none"> • Presence of dirt under the valve • Adjusting valve is faulty 	<ul style="list-style-type: none"> • Disassemble and clean the valve. Replace it, if necessary • Disassemble and overhaul the valve. Replace it, if necessary

9. MAINTENANCE PROCEDURE

Motor-Driven Gear Pump, Series 340 does not require any special tool for checking or maintenance tasks. However, it is recommended the use only of appropriate and in good conditions tooling, protective devices (gloves, glasses) and clothing (according to current regulation) to avoid injury to persons or damage to machine parts.

For an easy maintenance, it is advised to assemble the machine in a comfortable and reachable location.

Prior to any maintenance intervention:

- Verify that power supply and hydraulic feeding are disconnected.
- Empty the reservoir.



WARNING: To avoid contact with mineral lubricant, use suitable personal protective clothing and devices.

Periodical checks:

INSPECTION	WORK CYCLE
Lubrication status	1000
Oil level	2000
Cleanliness of refilling and suction filters	4000
Deposits on the bottom of the reservoir	6000

10. DISPOSAL

During maintenance or disposal of the machine care should be taken to properly dispose of environmentally sensitive items. Refer to local regulations in force in your area.

When disposing of this unit, it is important to ensure that the identification label and all the other relative documents are also destroyed.

11. ORDERING INFORMATION

11.1 RESERVOIR CHARACTERISTICS AND DIMENSIONS

Material	Capacity		Dimensions lxdxh		Weight	
	lt	gals	mm	in.	Kg	lb
Transparent Nylon	2.7	0.59	240x138x166	9.44x5.43x6.53	0.4	0.88
Aluminium	3	0.66	240x138x171.5	9.44x5.43x6.75	1.4	3.08
Steel	6	1.32	327x184x255	12.87x7.24x10.03	4.6	10.14
	11	2.42	327x184x400	12.87x7.24x15.74	8	17.63
	15	3.3	327x184x509	12.87x7.24x20.03	9	19.84

11.2 LINE 01

ASSEMBLY							
FLOW RATE at 1500 rpm	MOTOR	RESERVOIR					
		None	2.7 lt (0.594 gals)	3 lt (0.66 gals)	6 lt (1.32gals)	11 lt (2.42 gals)	15 lt (3.3 gals)
			Transparent Nylon	Aluminium	Steel		
350 cc/min (21.35 cu.in./min)	Three-phase 220/380 V 50Hz 3301374	3404023	3404031	3404032	3404034	3404048	3404049
500 cc/min (30.51 cu.in./min)		3404022	3404030	3404033	3404035	3404042	3404043
350 cc/min (21.35 cu.in./min)	Single-phase 110 V 50Hz 3301375	3404026	3404055	3404051	3404056	3404053	3404054
500 cc/min (30.51 cu.in./min)		3404046	3404039	3404040	3404041	3404044	3404045

11.3 LINE 04-06

ASSEMBLY							
FLOW RATE at 1500 rpm	MOTOR	RESERVOIR					
		None	2.7 lt (0.594 gals)	3 lt (0.66 gals)	6 lt (1.32gals)	11 lt (2.42 gals)	15 lt (3.3 gals)
			Transparent Nylon	Aluminium	Steel		
350 cc/min (21.35 cu.in./min)	Three-phase 220/380 V 50Hz 3301374	3405098	3405200	3405204	3405206	3405294	3405295
500 cc/min (30.51 cu.in./min)		3405100	3405201	3405205	3405207	3405243	3405244
350 cc/min (21.35 cu.in./min)	Single-phase 110V 50Hz 3301375	3405123	3405240	3405324	3405325	3405296	3405297
500 cc/min (30.51 cu.in./min)		3405124	3405298	3405241	3405242	3405245	3405246

11.4 LINE 26

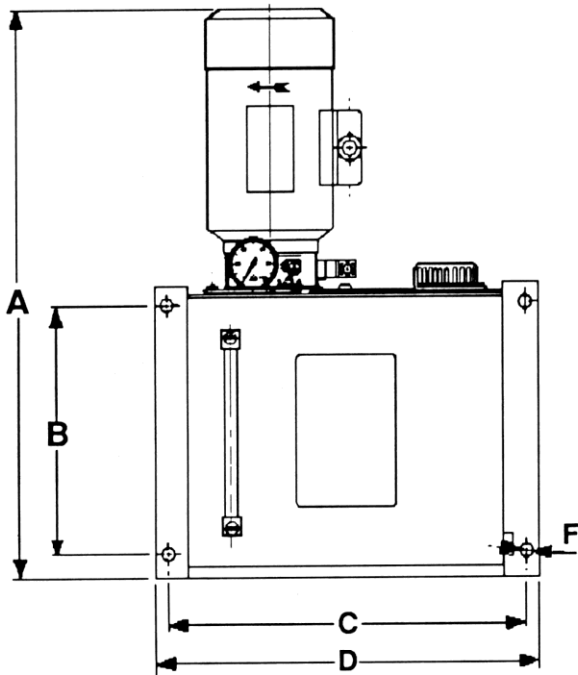
ASSEMBLY							
FLOW RATE at 1500 rpm	MOTOR	RESERVOIR					
		None	2.7 lt (0.594 gals)	3 lt (0.66 gals)	6 lt (1.32gals)	11 lt (2.42 gals)	15 lt (3.3 gals)
			Transparent Nylon	Aluminium	Steel		
350 cc/min (21.35 cu.in./min)	Three-phase 220/380V 50Hz 3301374	3405099	3405202	3405230	3405291	3405292	3405293
500 cc/min (30.51 cu.in./min)		3405101	3405203	3405231	3405232	3405251	3405252
350 cc/min (21.35 cu.in./min)	Single-phase 110V 50Hz 3301375	3405121	3405235	3405299	3405300	3405301	3405302
500 cc/min (30.51 cu.in./min)		3405122	3405303	3405236	3405237	3405253	3405254

11.5 ACCESSORIES AND SPARE PARTS

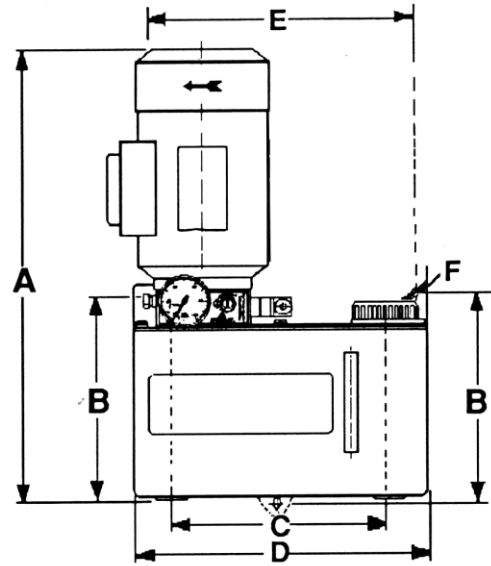
PART DESCRIPTION		PART N°		
		LINE 01	LINE 04-06	LINE 26
Gaskets kit		3132000	3132001	
Manometer		20621	20620	
Suction Filter		3130052		
Dual level contact		1655571		
Reservoir visual level kit	3 lt (0.66 gals)	3289101		
	6 lt (1.32 gals)	1524435		
	11 lt (2.42 gals)	3289006		
	15 lt (3.3 gals)	3289008		
Gear pump	350 cc (21.35 cu.in.) /1500 rpm	3099129		
	500 cc (30.51 cu.in.) / 1500 rpm	3099130		
Electric motor	3-phase continuous service 220/380 V 50Hz - 90W 4 pole	3301374		
	Single-phase 110 V-50Hz - 90W	3301375		
Plastic control panel	Single-phase	1639077		
	Three-phase	1639087		
Metal sheet control panel	Single-phase	1639081		
	Three-phase	1639089		
Pressure switch	1-10 bar (14.7 ÷147 psi)	NO	3291028	
		NC	3291031	
	10-20 bar (147÷294 psi)	NO	3291034	
		NC	3291035	
	20-50 bar (294 ÷735 psi)	NO	3291022	
NC		3291021		

12. DIMENSIONS

Allow sufficient space for the installation, leaving minimum 100 mm (3.93 in.) around the machine in order to facilitate any maintenance intervention.



Reservoir capacity: 6 – 11 – 15 lt (1.32 – 2.42 – 3.3 gals)
Depth: 184 mm (7.24 in.)



Reservoir capacity: 2.7 – 3 lt (0.59 – 0.66 gals)
Depth: 138 mm (5.43 in.)

Reservoir capacity		A		B		C		D		F - Diameter -	
lt	gals	mm	in.	mm	in.	mm	in.	mm	in.	mm	in.
-	-	~ 300	~ 11.81	-	-	-	-	-	-	-	-
2.7	0.59	394	15.51	-	-	175	6.88	240	9.44	6.5	0.25
3	0.66	378	14.88	-	-	220	8.66				
6	1.32	482	18.97	205	8.07	305	12	327	12.87	11	0.43
11	2.42	630	24.80	365	14.37						
15	3.3	740	29.13	470	18.5						

13. HANDLING AND TRASPORTATION

Prior to shipping, pumps are accurately packed and dispatched in cardboard containers. During transportation and storage always maintain the pump the right way up as indicated on the box.

No particular precautions are required except as noted on the package itself.

On receipt, check that packaging has not been damaged and store the pump in a dry place.

For the low weight of the pump, handling can be effected by only one person: *lift the unit maintaining the right way up indicated on the box.*



WARNING: Pump components shall withstand a temperature range of $-20\text{ }^{\circ}\text{C} \div +50\text{ }^{\circ}\text{C}$ ($-4^{\circ}\text{F} \div +122^{\circ}\text{F}$). Anyway, in order to prevent damage, pump must be started-up at a working temperature of $+5\text{ }^{\circ}\text{C}$ ($+41^{\circ}\text{F}$) at least.

14. PRECAUTIONS

It is necessary to read carefully about the instructions and the risks involved when using lubrication pumps. The user must know pump operation through this manual.

Damage to power supply cable and unit housing could result in contact with high voltage live parts and hence be a danger to life:

- In order to prevent dangers of electric shock due to direct or indirect contact with live parts it is necessary that the electrical power supply line is adequately protected by a suitable differential magneto-thermal circuit breaker with an intervention threshold of 0.03 Ampere and a max. operating time of 1 second.

The breaking capacity of the circuit breaker must be $\leq 10\text{ kA}$ and the nominal current $I_n = 6\text{ A}$.

- Carefully check the integrity of power supply cable and pump before use. In the event of damages, **DO NOT** put the system into service! Replace the damaged power supply cable with a new one.
 - ✓ The pump **MUST NOT** be pump submerged into fluids or used in aggressive or explosive/inflammable environments, if not preventively provided for this purpose by the manufacturer
 - ✓ Use gloves and safety glasses as required in the lubrication oil safety chart.
 - ✓ **DO NOT** use aggressive lubricants with NBR gaskets and seals; In case of doubts, please contact the Eng. Dept. of Dropsa SpA, who will provide a chart with the details of recommended oils.
 - ✓ **DO NOT** ignore dangers to health and observe all hygiene standards.



WARNING: All electric components and control devices must be grounded. Verify the ground cable is correctly connected. For safety reasons, ground cable must be approx. 100 mm (3.93 in.) longer than the phase cables. In the event of accidental detachment of the cable, ground terminal must be the last to be removed.

15. OPERATING HAZARDS

Verification of compliance with essential safety requirements and *Machine Directive dispositions* has been carried out filling in checking lists provided and contained in the *technical file*.

Dropsa used three kinds of checking list:

- The list of hazards (according to the EN 414 as it refers to EN 292).
- Enforcement of the essential safety requirements (*Machine Directive* – annex 1, part 1).
- Electric safety requirements (EN 60204-1).

The following is a list of dangers which have not been fully eliminated but which are considered acceptable:

- During assembly/maintenance oil squirts and contact with oil are possible -> See the requirements for the use of suitable personal protective clothing.
- Use of incompatible lubricant -> lubricant characteristics are shown on the pump and in the *User and Maintenance Manual (in case of doubt contact the Eng. Dept. of Dropsa SpA)*.

INADMISSIBLE FLUIDS	
Fluid	Danger
Lubricants containing abrasive components	Premature wear of pump
Lubricants containing silicon	Pump failure
Petrol – solvents - flammable liquids	Fire – explosion - seal damage
Corrosive products	Pump damage - danger to persons
Water	Pump oxidization
Food Products	Contamination of product

16. WARRANTY INFORMATION

All products manufactured and marketed by Dropsa are warranted to be free of defects in material or workmanship for a period of at least 12 months from date of delivery. Extended warranty coverage applies as follows:

Complete system installation by Dropsa: 24 Months

All other components: 12 months from date of installation; if installed 6 months or more after ship date, warranty shall be maximum of 18 months from ship date.

If a fault develops, notify us giving a complete description of the alleged malfunction. Include the part number(s), test record number where available (format xxxxxx-xxxxxx), date of delivery, date of installation and operating conditions of subject product(s).

We will subsequently review this information and, at our option, supply you with either servicing data or shipping instruction and returned materials authorization (RMA) which will have instructions on how to prepare the product for return.

Upon prepaid receipt of subject product to an authorized Dropsa Sales & Service location, we will then either repair or replace such product(s), at our option, and if determined to be a warranted defect, we will perform such necessary product repairs or replace such product(s) at our expense.

Dropsa reserves the right to charge an administration fee if the product(s) returned are found to be not defective.

This limited warranty does not cover any products, damages or injuries resulting from misuse, neglect, normal expected wear, chemically caused corrosion, improper installation or operation contrary to factory recommendation. Nor does it cover equipment that has been modified, tampered with or altered without authorization.

Consumables and perishable products are excluded from this or any other warranty.

No other extended liabilities are stated or implied and this warranty in no event covers incidental or consequential damages, injuries or costs resulting from any such defective product(s).

The use of Dropsa product(s) implies the acceptance of our warranty conditions. Modifications to our standard warranty must be in made in writing and approved by Dropsa.

17. DECLARATION OF COMPLIANCE



Dropsa Spa
Via Benedetto Croce, 1
20090 Vimodrone (MI)
Italy

Tel.: (+39) 02. 250.79.1
Fax Sales: (+39) 02. 250.79.767
E-mail: sales@dropsa.it
Web site: <http://www.dropsa.com>



DICHIARAZIONE **CE** DI CONFORMITÀ/DECLARATION OF COMPLIANCE WITH STANDARDS/ DECLARATION DE CONFORMITE/ KONFORMITÄTSEKLRÄRUNG DES STANDARDS /DECLARACIÓN DE CONFORMIDAD/ DECLARAÇÃO DE CONFORMIDADE

La società Dropsa S.p.A., con sede legale in Milano, Via Besana,5/ Dropsa S.p.A., registered office in Milan, Via Besana,5 / Dropsa S.p.A. au Siège Social à Milan, Via Besana,5/ Dropsa S.p.A., Sitz in Milano, Via Besana 5/ La sociedad Dropsa S.p.a., con sede legal en Milán, Via Besana,5/ A Dropsa S.p.A, com sede em Milão, via Besana, nº 5

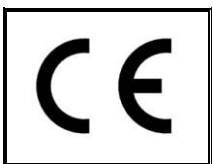
DICHIARA /CERTIFIES / CERTIFIE/ ZERTIFIZIERT, DASS/ DECLARA/ CERTIFICA:

che il prodotto denominato/that the product called/ le produit appellè/ das Produkt mit dem Namen/ el producto que se llama/ o produto chamado:

Descrizione/ Description/ Description/ Beschreibung/ Descripción/ Descrição:	Elettropompa a ingranaggi Gear pump (electrically driven)
Nome Commerciale/ Product Name/ Dénomination/ Handelsname/ Denominación/ Denominação:	-
Versioni/ Versions/ Versions/ Versionen/ Versiones/ Versões:	Tutte
Codici/ Codes/ Códigos/:	Serie 3404***/Serie 3405***

è conforme alle condizioni previste dalle Direttive CEE /has been constructed in conformity with the Directives Of The Council Of The European Community on the standardization of the legislations of member states/ a été construite en conformité avec les Directives Du Conseil Des Communautés Europeennes/ Entsprechend den Richtlinien des Rates Der Europäischen Union, für die Standarisierung der Legislative der Mitgliederstaaten, konstruiert wurde/ cumple con las condiciones establecidas por las directivas comunitarias/ foi construído em conformidade com as diretivas do Conselho das Comunidades Europeias:

- 2006/42 CE Direttiva macchine /Machinery Directive/ Directive machines/ Maschinenrichtlinien/Maquinaria / Directiva Máquinas;
- 2006/95 CE Bassa tensione / Low Voltage Directive / Directive Basse Tension/ Niedrigspannungsrichtlinien/ Directiva de baja tensión/ Directiva de Baixa Tensão;



La persona autorizzata a costituire il Fascicolo Tecnico c/presso Dropsa S.P.A.
The person authorized to compile the Technical File care of Dropsa S.P.A.

Technical Director:
Maurizio Greco

.....

Vimodrone (MI), Gennaio 2012


Legal representative
Milena Gavazzi

.....


Copy of the original document

18. DROPSA LOCATIONS


 **Dropsa S.p.A.**
Via B. Croce,1
20090 Vimodrone (MI) Italy.
Tel: (+39) 02 - 250.79.1
Fax: (+39) 02 - 250.79.767
E-mail: sales@dropsa.it (Export)
E-mail: vendite@dropsa.it (National)

 **Dropsa (UK) Ltd**
Unit 6, Egham Business Village,
Egham, Surrey, TW20 8RB
Tel: (+44) 01784 - 431177
Fax: (+44) 01784 - 438598
E-mail: salesuk@dropsa.com

 **Dropsa USA Inc.**
6645 Burroughs Ave
48314-2132 Sterling Hts, MI Us -USA
Tel: (+1) 586-566-1540
Fax: (+1) 586-566-1541
E-mail: salesusa@dropsa.com

 **Dropsa GmbH**
Volmerswerther Strasse 80
40221 Dusseldorf 1, Deutschland
Tel: (+49) 0211/39 4011
Fax: (+49) 0211/39 4013
E-mail: sales@dropsa.de

 **Dropsa Ame**
23, Av. des Morillons
Z.I. des Doucettes 91140
Garges Les Gonesse, France
Tel: (+33) 01 39 93 00 33
Fax: (+33) 01 39 86 26 36
E-mail: salesfr@dropsa.com

 **Dropsa do Brazil Ind. E Com. Ltda**
Rua Sobralia 175,
Sao Paulo, Brazil
Tel: (+55) 011-5631-0007
Fax: (+55) 011-5631-9408
E-mail: salesbr@dropsa.com

 **Dropsa Lubrication Systems**
Nr 8 Dongxing Road,
Songjiang Industrial Zone
(Shanghai) Co., Ltd
Tel: +86 (021) 67740275
Fax: +86 (021) 67740205
E-mail: china@dropsa.com

 **Dropsa Australia Pty.**
C20/148 Old Pittwater Road
Brookvale, NSW 2100
Tel: +61 (02) 9938 6644
Fax: +61 (02) 99 386 611
E-mail: salesau@dropsa.com



Web site: <http://www.dropsa.com> - E-mail: sales@dropsa.com