



MANUAL PUMP SERIES 3106000

CHARACTERISTICS

- COMPATIBLE WITH
- 33V SYSTEM
- 01 SYSTEM
- RESERVOIR: 1LT
- DELIVERY:
10 CC/STROKE
- WORKING
TEMPERATURE:
+5°C TO +40 °C

APPLICATIONS

- SMALL MACHINE TOOLS
- WOOD WORKING MACHINE
- GLASS MACHINERY
- MARBLE WORKING MACHINE
- ANY SMALL LUBRICATION SYSTEM USING INJECTORS (33V TYPE)
- APPLICATIONS THAT REQUIRE A SIMPLE ENTRY LEVEL MANUALLY OPERATED PUMP OR WHERE POWER IS NOT AVAILABLE

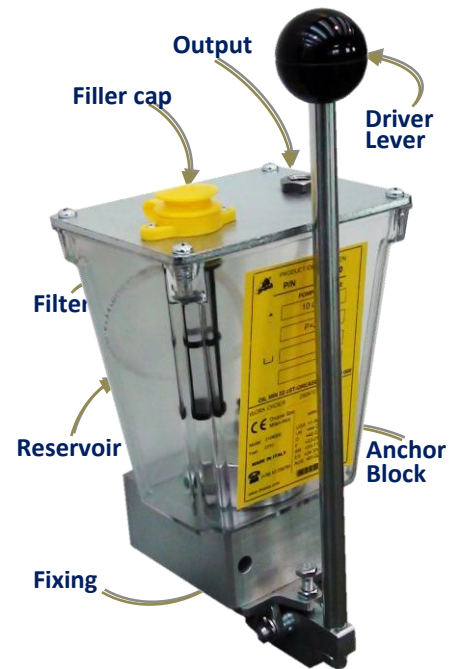
FOR OIL AND FLUID GREASE INJECTOR TYPE LUBRICATION SYSTEMS

THE RUGGED AND RELIABLE MANUAL PUMP SOLUTION FOR INJECTOR (33v) SYSTEMS.

The rugged and reliable **Manual Pump Series 3106000** is designed for use in oil and fluid grease NLGI000 lubrication systems.

EASY:

The manual pump 3106000 is an easy to use manual pump package. Operation is simple – just pull the front located operating handle to pressurize the lubrication lines. When the lever returns to original rest position the vent mechanism allows the lubrication lines to vent, resetting the injectors for the next lubrication cycle.



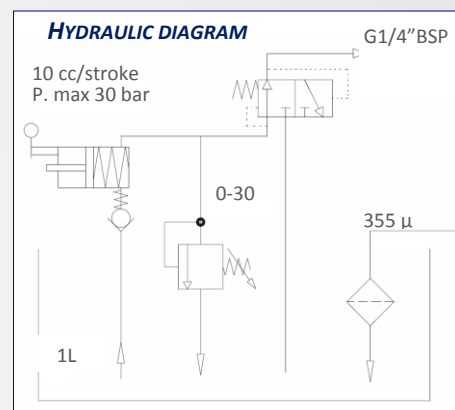
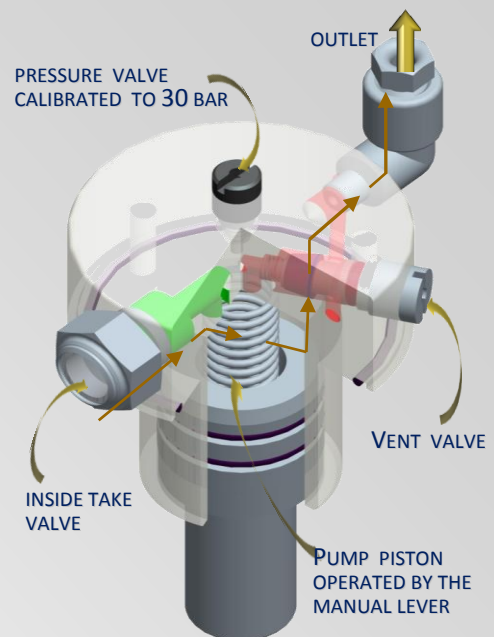
OPERATING PRINCIPLE

The operating lever mechanism acts on the Pump piston and pressurizes lubricant towards the outlet.

The spring return mechanism returns pump piston and operating lever to its starting position and re-charging the pump chamber through the Intake valve.

As the pump piston returns to its starting position, the vent valve releases the pressure in the outlet line.

Additionally, there is a pressure valve that limits the maximum pressure to 30Bar during the pumping phase.



SUITABLE LUBRICATION SYSTEMS

- ANY OIL OR FLUID GREASE INJECTOR TYPE LUBRICATION SYSTEM (EG. 33V) WITH A WORKING PRESSURE < 30 BAR (435 PSI) AND OUTPUT/CYCLE < 10CC (*)
- LUBRICATION SYSTEM WITH ORIFICE OR RESTRICTOR DEVICES WITH WORKING PRESSURES < 20 BAR (290 PSI) – 01 SYSTEM (*)

(*) YOU MUST ALSO CONSIDER FLOW AND PRESSURE LOSS NEEDED TO OPERATE THE SYSTEM



MANUAL PUMP SERIES 3106000

CONTACTS

www.dropsa.com

sales@dropsa.com

ITALY

Dropsa SpA
t. +39 02-250791
f. +39 02-25079767

U.K.

Dropsa (UK) Ltd
t. +44 (0)1784-431177
f. +44 (0)1784-438598

GERMANY

Dropsa GmbH
t. +49 (0)211-394-011
f. +49 (0)211-394-013

FRANCE

Dropsa Ame
t. +33 (0)1-3993-0033
f. +33 (0)1-3986-2636

CHINA

Dropsa Lubrication
Systems
(Shanghai) Co., Ltd
t. +86 (021) 67740275
f. +86 (021) 67740205

U.S.A.

Dropsa Corporation
t. +1 586-566-1540
f. +1 586-566-1541

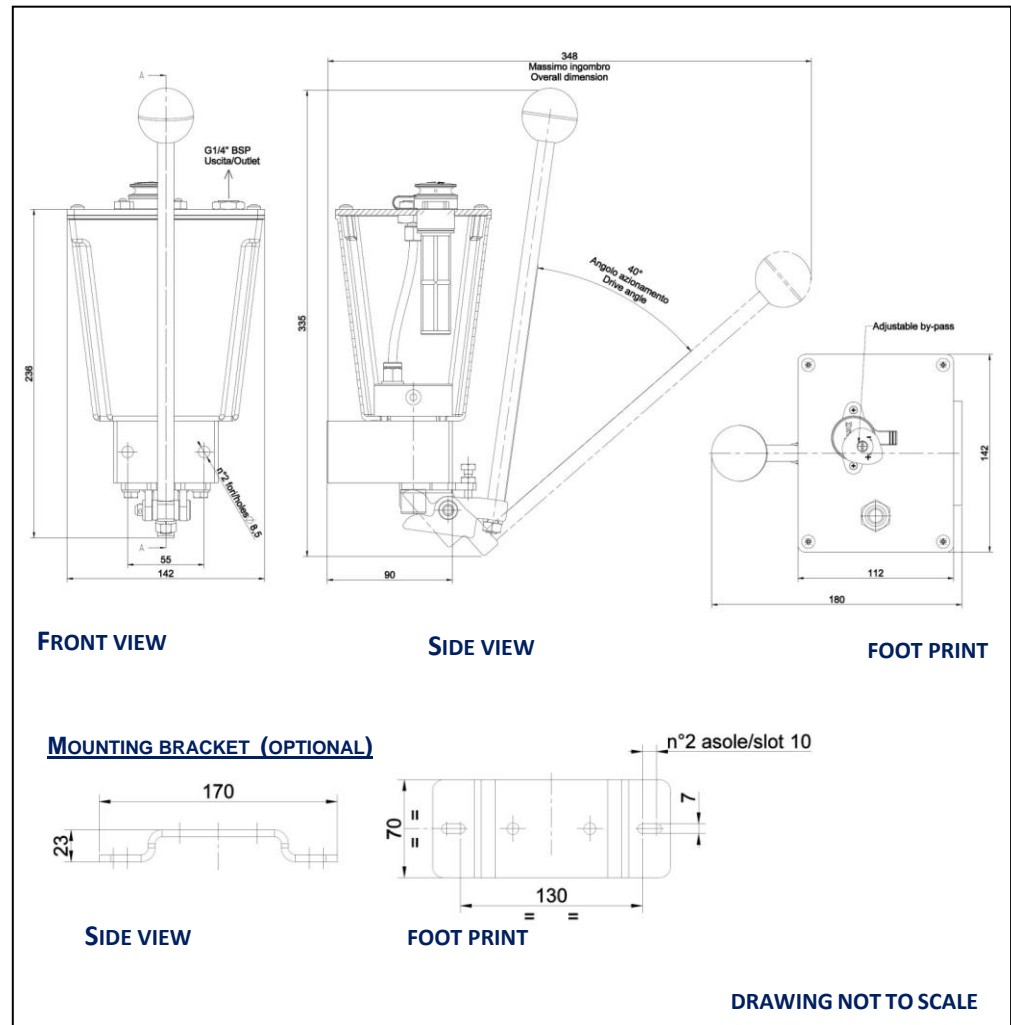
AUSTRALIA

Dropsa Australia Ltd.
t. +61 (02)-9938-6644
f. +61 (0)2-9938-6611

BRAZIL

Dropsa do Brasil Ind.e
Com.Ltda
t. +55 (0)11-563-10007
f. +55 (0)11-563-19408

OVERALL DIMENSIONS



TECHNICAL INFORMATION

TECHNICAL CHARACTERISTICS	
Operating Type	Manual
Pumping system	Piston
Max Working pressure	30 bar (435 psi)
Reservoir capacity	1 LT
Delivery	10 cc/stroke (effective 5cc/stroke)
Output	1/4" BSP
Working temperature	+ 5 ÷ + 40°C
Lubricants allowed	Mineral Oil 32÷1000 cSt/ NLGI000 Fluid Grease
Max operating force	20 Kg

ORDERING INFORMATION

STANDARD VERSION	
Description	Part Number
Manual Pump (30 bar)	3106000
ACCESSORIES	
Description	Part Number
Pressure gauge + fitting	0020553 + 3085250
Mounting bracket	3106117