



## THE COMPACT MULTI-OUTLET GREASE WITH FOLLOWER PLATE

### CHARACTERISTICS

- **3 PUMP MODELS:**  
1-12 PUMP ELEMENTS  
1-24 PUMP ELEMENTS  
1-35 PUMP ELEMENTS
- **2 OR 0,5 LITERS**  
RESERVOIR
- **12V AND 24V**  
VERSIONS
- **12 TIMER SETTINGS**
- **6 DIFFERENT PUMP**  
ELEMENT SIZES
- **PUMP –TO–POINT**  
CONCEPT IS EASY TO  
ENGINEER
- **EASY TO INSTALL**
- **4 AND 0,5 LITERS**  
RESERVOIR

The electrically driven **PoliPUMP FP** is the quick, simple and cost effective solution for lubricating **up to 35 grease points** without the need to design complex lubrication systems.

The **follower plate** and **stirring paddle** system keep the grease compacted and allows to pump to continue to feed the lubrication system correctly even when it is in an upside down position.

Furthermore, the version with a **0.5 reservoir** guarantees the possibility of being able to install the pump in **small spaces**, making it the ideal solution for mounting on machine tools where this problem is encountered.

In just a few quick steps you can design and install an automatic centralized lubrication system for up to 35 lube points without any specialized engineering skills.

No external metering valves, cycle sensors are required. Just plug and pipe it in and you are ready to go.



**SUPPLY UP TO 35 GREASE POINTS WITH ONE PUMP.  
NO COMPLEX METERING VALVES OR SYSTEM DESIGN IS NECESSARY**

**CAN BE USED STRAIGHT OUT OF THE BOX IN JUST A FEW QUICK STEPS:**

- Choose from a range of 6 different Pump Elements for each lubrication point;
- Screw the Pump elements into the Outlet Manifold block;
- Quickly connect the pump elements to the points with flexible tubing – thanks to push-in fitting on the pump element;
- Power up the unit and select one of the 12 timer settings.

### APPLICATIONS

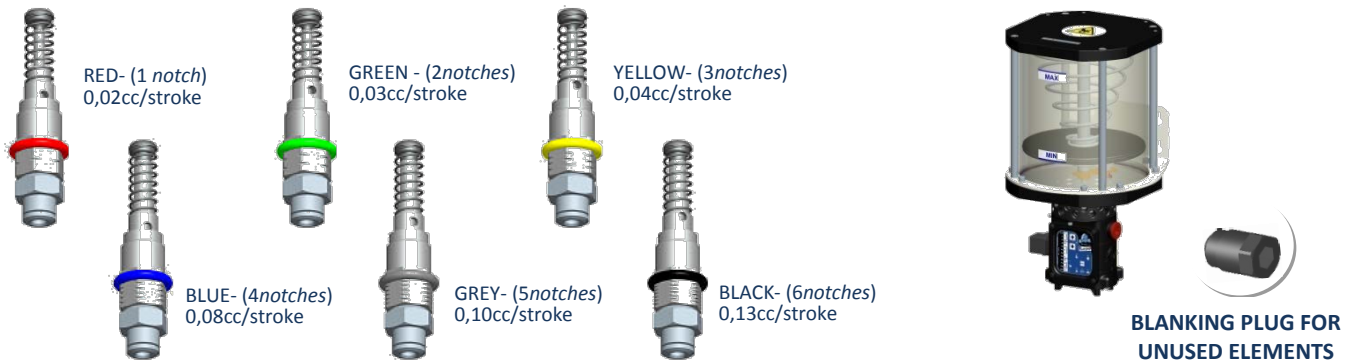
- **ANY TYPE OF DEVICE**  
OR MACHINERY  
THAT REQUIRES  
GREASE  
LUBRICATION FROM  
1 TO 35  
LUBRICATION  
POINTS



## GET UP AND RUNNING IN A FEW SIMPLE STEPS:

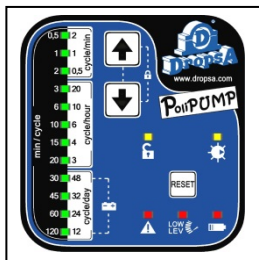
### 1. PICK NUMBER AND TYPE OF YOUR PUMPING ELEMENTS

Pumping elements are installed sequentially around the cylindrical outlet manifold...



...There are 6 different pump element sizes for you to select from and they are ordered separately from the pump according to how many lubrication points need to be serviced.

### 2. SELECT THE LUBRICATION CYCLE TIMER YOU WANT:



Once the pump has been powered on, simply use the up and down buttons to select the desired Lubrication Cycle.

There are 12 different cycle times that can be selected:

The cycle frequency available are:

- Cycles per minute: 0.5 – 1 – 2
- Cycles per hour: 3 – 4 – 6 – 10 – 20
- Cycles per day: 12 – 24 – 32 – 48

## READY TO GO

### GENERAL TECHNICAL CHARACTERISTICS

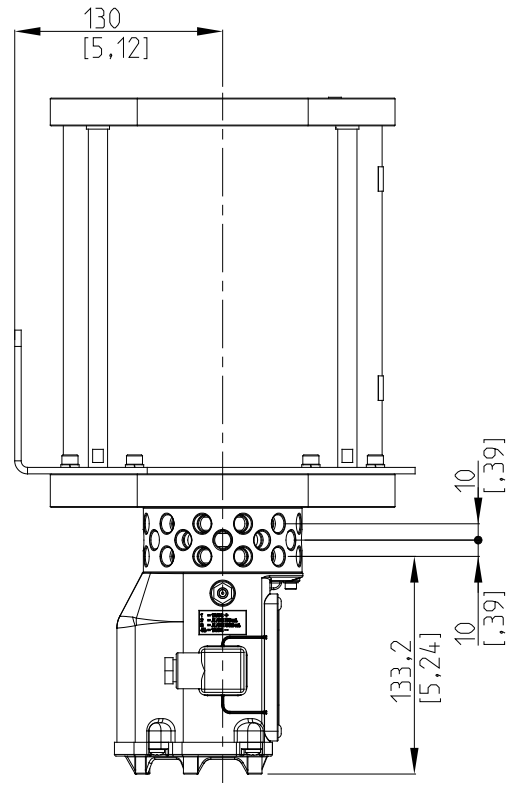
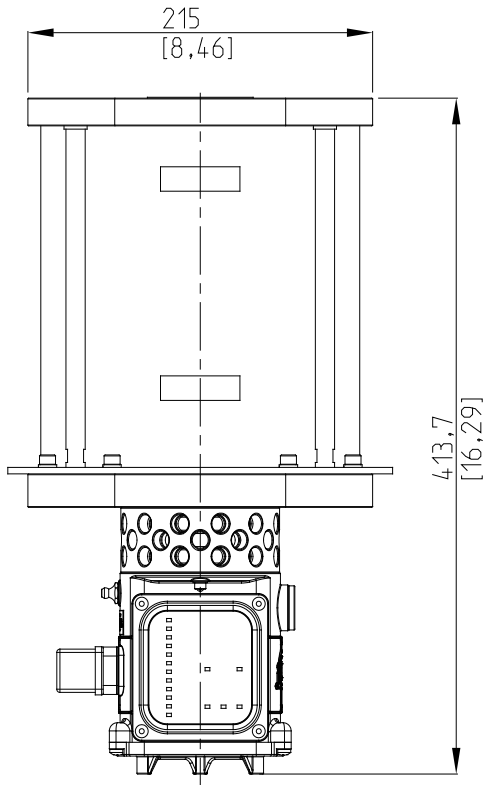
Pumping system	Sinale actina pump elements with cam activation	
Drive assembly	DC motor with gearbox	
Motor operating voltage	12V DC	24V DC
Electronic protection threshold for motor overload	0.6 A	
Nett weight4 l Reservoir	9 Kg (19.8 lb)	
	0,5 l Reservoir	3,5 Kg (7.7 lb)
Numero uscite/pompanti max.	12 – 24 – 35	
Connessione di mandata (uscita pompante)	Push-in Ø4	
Nominal output per pump element	0,02cc/strokes	– RED (1 notch)
	0,03 cc/ strokes	– GREEN (2 notchs)
	0,04 cc/ strokes	– YELLOW (3 notchs)
	0,08 cc/ strokes	– BLUE (4 notchs)
	0,10 cc/ strokes	– GREY (5 notchs)
	0,13 cc/ strokes	– BLACK (6 notchs)
Reservoir Capacity	0,5 L (0.13 gallons)- 4 L (1.06 gallons)	
Grease capabilitv	NLGI00 ÷ NLGI2	
Operating temperature	-10°C ÷ +60°C (14°F ÷ 140°F)	
Storage temperature	-20°C ÷ +80°C (-4°F ÷ 176°F)	
Minimum level signalling/counting revolution	With Hall effect sensor	
Reservoir Capacity	0,5 L (0.13 gallons)	

### CONTROL PANEL CHARACTERISTICS

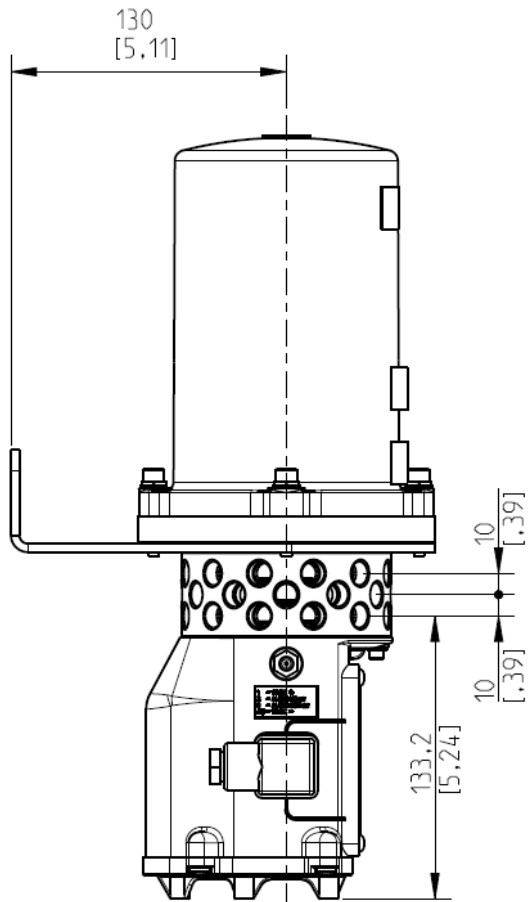
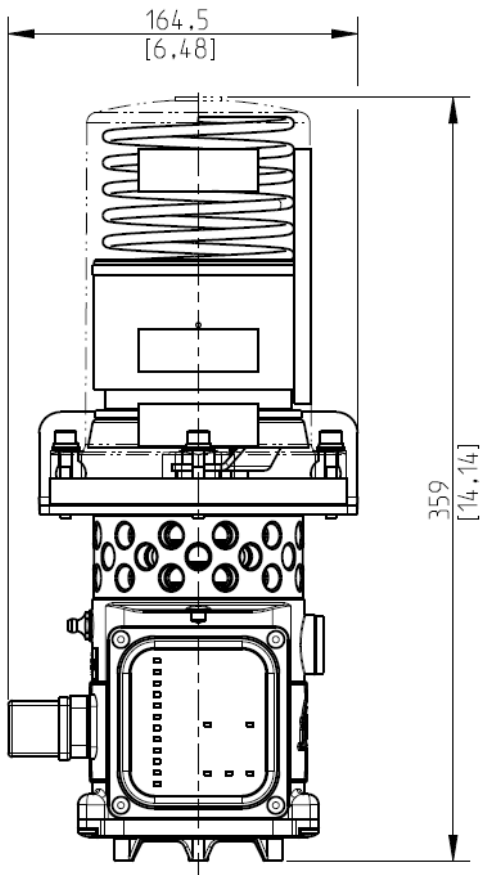
Working voltages	12VDC – 24VDC
Relay alarm contact	NC (open in alarm) – I max 5A - Vmax 250V – Pmax 60W

**DIMENSIONS (NOT TO SCALE)**

**4 l -Reservoir**



**0,5 l -Reservoir**





## POLIPUMP DESIGN WORKSHEET

### 1. SELECT THE PUMP – Pick a model:

RESERVOIR	VOLTAGE	PUMPINGS	PART NO.		Q.TY
4 l	12VDC	Da1a12	0888282	<input type="radio"/>	_____
		Da1a 24	0888283	<input type="radio"/>	_____
		Da1a 35	0888284	<input type="radio"/>	_____
	24VDC	Da1a 12	0888285	<input type="radio"/>	_____
		Da1a 24	0888286	<input type="radio"/>	_____
		Da1 a 35	0888287	<input type="radio"/>	_____
0,5 l	12VDC	Da1a 12	0888500	<input type="radio"/>	_____
		Da1a 24	0888501	<input type="radio"/>	_____
		Da1a 35	0888502	<input type="radio"/>	_____
	24VDC	Da1a 12	0888503	<input type="radio"/>	_____
		Da1a 24	0888504	<input type="radio"/>	_____
		Da1 a 35	0888505	<input type="radio"/>	_____

### 2. HOW MANY PUMP ELEMENTS DO YOU NEED?

PUMP ELEMENTS	DESCRIPTION	PART NO.		Q.TY
0,02cc/ stroke	RED - (1 notch)	0888451	<input type="radio"/>	_____
0,03cc/ stroke	GREEN- (2 notchs)	0888452	<input type="radio"/>	_____
0,04cc/ stroke	YELLOW- (3 notchs)	0888453	<input type="radio"/>	_____
0,08cc/ stroke	BLUE- (4 notchs)	0888454	<input type="radio"/>	_____
0,10cc/ stroke	GREY- (5 notchs)	0888455	<input type="radio"/>	_____
0,13cc/ stroke	BLACK- (6 notchs)	0888456	<input type="radio"/>	_____
SPARE BLANKING PLUG		0888257	<input type="radio"/>	_____

### 3. TUBES AND FITTINGS?

TUBES Ø4	DESCRIPTION	PART NO.		Q.TY
Ø4x2 Nylon tube	Nylon Tube - Clear	5717218	<input type="radio"/>	_____
Ø4x3 Nylon Tube	(low pressure)	5717300	<input type="radio"/>	_____
Ø4x2 Nylon Tube	- Black	5717258	<input type="radio"/>	_____
Ø4x2 Nylon Tube	- Black grease filled NLGI 00	5717259	<input type="radio"/>	_____
FITTINGS Ø4				
PUSH-IN	THREAD	MAX PRESSURE (bar)		
Straight	1/8 BSP	65	3084577	<input type="radio"/>
	M6X1	65	3084579	<input type="radio"/>
	M6X0,75	65	3084631	<input type="radio"/>
	5/16-24 UNF	65	3084682	<input type="radio"/>
	1/8" NPT	20	3084586	<input type="radio"/>
90° swivel	M6X1	65	3084613	<input type="radio"/>
	5/16-24 UNF	65	3084611	<input type="radio"/>
	1/8NPT	65	3084620	<input type="radio"/>
	1/8 BSP	65	3084638	<input type="radio"/>
	M8X1	150	3084731	<input type="radio"/>
	1/8 BSP	150	3084696	<input type="radio"/>
Compression fitting	1/8" BSP	150	0092069	<input type="radio"/>

### 4. FILL THE PUMP

Loading kit for 400 cc cartridge	0888038		
Loading kit for 400 cc cartridge with valves	3133723	<input type="radio"/>	_____
400 cc grease cartridge (NLGI 2)	1524952	<input type="radio"/>	_____
Fitting for 90° loading M22x1.5	3077222	<input type="radio"/>	_____

### ACCESSORIES

Black ties wraps 100 x 2,5 mm (1 unit)	UE-CACA011		
Spiral fits- black 10 m per coil ø 10-50 mm	UE-CACA030	<input type="radio"/>	_____
KIT tag	3133901	<input type="radio"/>	_____

Info Distributor: