



FILTER SERIES 11132XX

STEEL-BODIED HIGH-PRESSURE FILTER

These filters are available with and without fixing holes and can reach a maximum pressure of 500 bar. (The maximum pressure refers to sealing pressure of the assembly.)

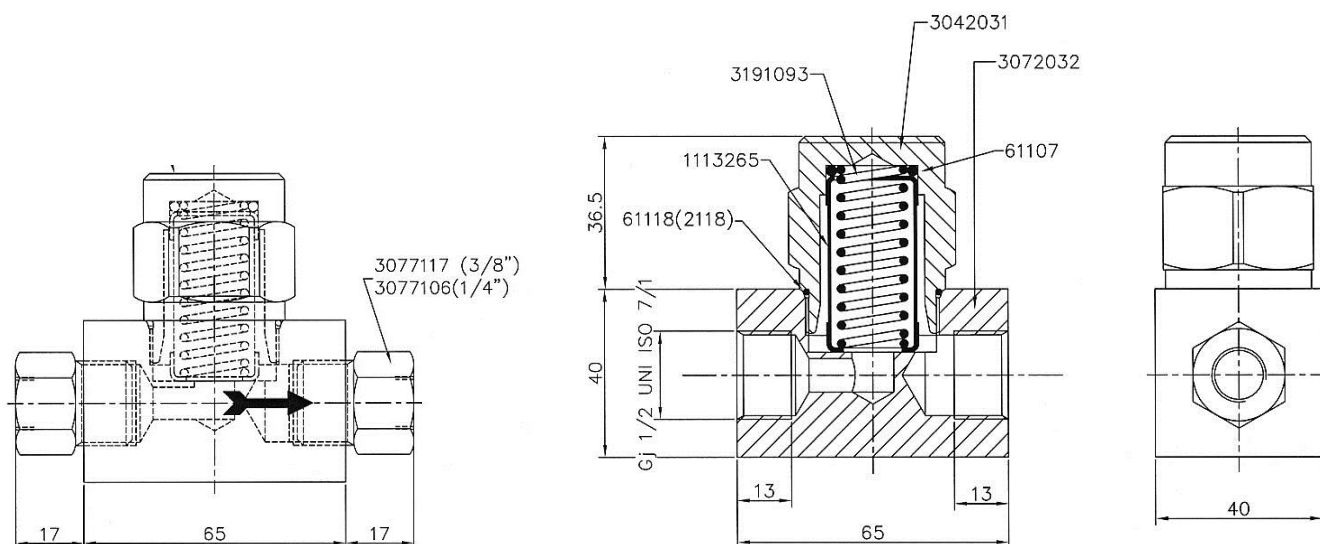
A elevated differential pressure between the inlet holes and outlet holes may cause damage to the filter.

It is therefore recommended to regularly inspect the filter to check for possible clogging.

During installation of the lubrication system, it is easy for foreign particles to remain in the lines.



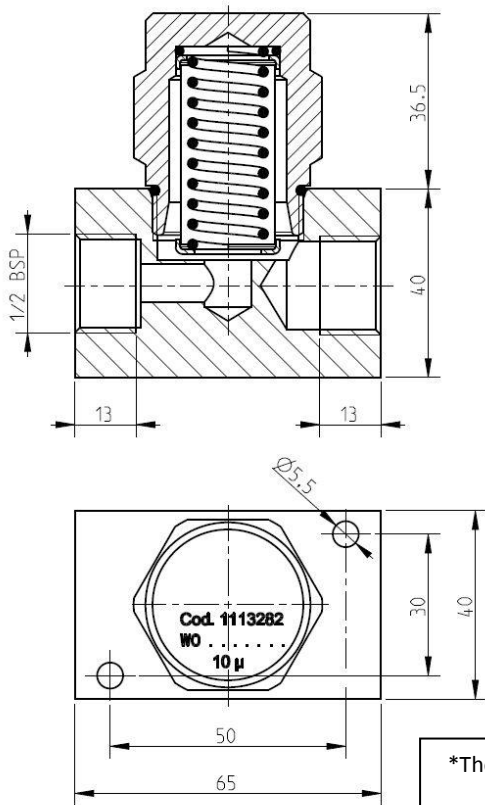
WITHOUT FIXING HOLES



Degree of filtration in	Thread	Code	Replacement cartridge
10	1/2 BSP	1113281	1113278
25	1/4 BSP	1113235	
25	3/8 BSP	1113245	1113265
25	1/2 BSP	1113255	
60	1/4 BSP	1113237	
60	3/8 BSP	1113247	1113267
60	1/2 BSP	1113257	
150	1/4 BSP	1113230	
150	3/8 BSP	1113240	1113231
150	1/2 BSP	1113250	
300	1/4 BSP	1113200	
300	3/8 BSP	1113210	1113205
300	1/2 BSP	1113220	

The various reference to threads indicated in the table are variations obtained by applying a reduction to the 1/2" BSP thread of the base body.

WITH FIXING HOLES

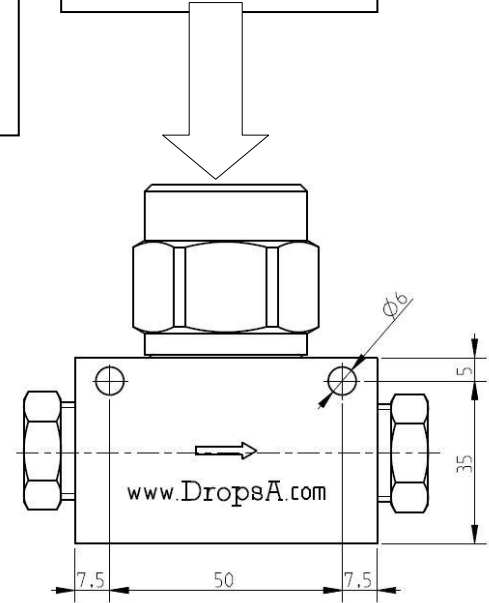


Drilling for the filters

- 1113264
- 1113277
- 1113280*
- 1113282
- 1113276

Drilling for the filters

- 1113259
- 1113279
- 1113283



*The filter 1113280 has fixing holes with 6.35 in diameter.

Degree of filtration in μ	Thread	Code	Replacement cartridge
10	1/4 NPTF	1113280	1113278
10	1/2 BSP	1113282	1113265
25	1/4 BSP	1113279	1113219
25	1/4 NPTF	1113277	1113268
40	1/4 BSP	1113264	1113231
125	1/4 BSP	1113283	
150	1/4 BSP	1113276	