

# AB-PK (Capacitive Level Control)

## SINGLE PISTON PUMP



**bielomatik**  
SCHMIERTECHNIK  
**DropsA**

### CHARACTERISTICS

**Max pressure:**  
- 60 bar (870 psi)

**Tank Capacity:**  
- 1,2L or 3,0L

**Ambient temperature:**  
- from 32 to 176 °F

**Range of viscosity:**  
- from 50 to 750 mm<sup>2</sup>/s, NLGI 000-0

### IDEAL FOR

- Daily or up to each minute fluid grease or oil lubrication

- For use with metering valves and dosing valves

### APPLICATIONS

- Small machines

- Machine tools, wood processing, general industry

- Single point lubrication with oil or fluid grease

## AB-PK SINGLE PISTON PUMP

The single piston pump AB-PK is a robust pneumatic pump. It is suitable for automatic lubrications, which must be done several times daily to maximum once per minute. The capacitive level control offers a reliable use of fluid greases, which are difficult to detect.

### TECHNICAL INFORMATION

#### General

Type	Single piston pump
Lubrication line connection	Pipe connection $\varnothing$ 6 mm
Ambient temperature	From 32 to 176°F (from 0 to 80 °C)
Filling	Manual or filling device
Protection class as per EN60529	IP67

#### Hydraulic system

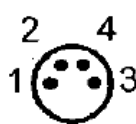
Operating pressure	60 bar (870 psi)
Flow rate	10.5 cm <sup>3</sup> /stroke
Pressure Ratio	P2=9,5x(P1-1,2)
Operating medium	Mineral oil, fluid grease
Range of viscosity	From 50 to 750 mm <sup>2</sup> /s, NLGI 000-0*

\*as per fluid grease release list

#### Drive

Type of drive	pneumatic
Supply pressure	From 4 to 6 bar
Supply fitting	G ¼ "

#### Sensor system

Level control	
Nominal voltage	24 V DC
Power consumption	≤ 17 mA
Switching current	≤ 100 mA
Connection	M8 x 1
	1 – L+ 3 – L- 4 – NC (Closed when Tank full, programmable)



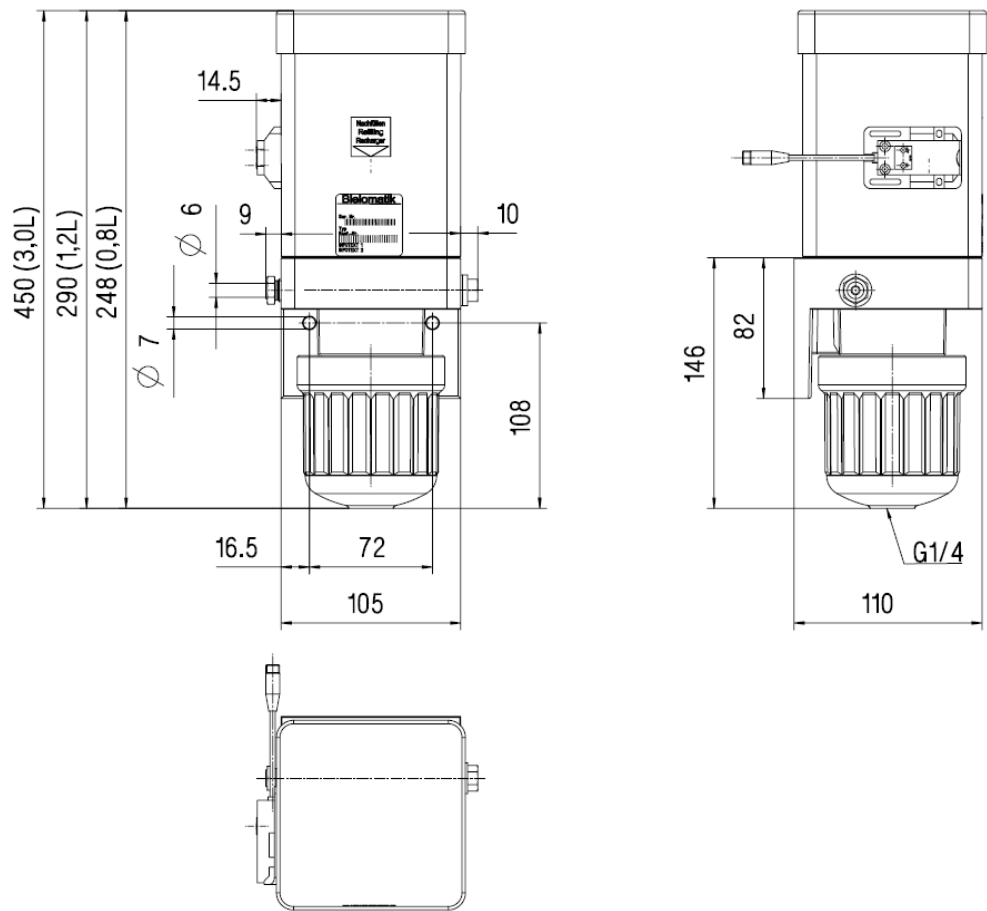
# AB-PK (Capacitive Level Control)

## SINGLE PISTON PUMP



**bielomatik**  
SCHMIERTECHNIK  
**DropsA**

### TECHNICAL INFORMATION



### Order summary

Tank	Lubr. Line connection	Level switch	strainer	Grease nipple	Other	Ordering Number
0,8L	Ø6mm, Left	Right	No			<b>P30011613</b>
1,2L	Ø6mm, Left	Left	Yes			<b>P30011615</b>
			Yes	Flat type, front		<b>P30011659</b>
			Yes	Flat type, top		<b>P30011652</b>
		Right	Yes			<b>P30011617</b>
			Yes		Refill strainer with cap	<b>P30011618</b>
		Vorne	No			<b>P30011640</b>
	Ø6mm, Right	Left	Yes		With screw-cap	<b>P30011638</b>
3,0L	Ø6mm, Left	Left	Yes			<b>P30011648</b>
			Yes		With screw-cap	<b>P30011653</b>

### Spare Parts:

Article no.	Name	Description	Article no.	Name	Description
<b>P30400600</b>	Cap	For tank	<b>P62004053</b>	Fixing screw	M6x25
<b>P30215201</b>	Clamping ring	For lubrication line connection	<b>P62050004</b>	Washer	For M6
<b>P30256621</b>	Retaining screw	For lubrication line connection	<b>P30023403</b>	3/2 way valve set, 24VDC, 3W	Pressurized air connection
			<b>P30023404</b>	3/2 way valve set, 230VAC, 6,5W	Pressurized air connection

### Accessories:

CB2333PE WK 20/20

DropsABielomatikSchmiertechnikGmbH products can be purchased at DropsABielomatikSchmiertechnik GmbH branches and authorised distributors. Write to [info@bielomatik-lubrication.de](mailto:info@bielomatik-lubrication.de)

Distributor Info:

[www.bielomatik-lubrication.de](http://www.bielomatik-lubrication.de)  
[www.dropsa.com](http://www.dropsa.com)