



CHARACTERISTICS

Max pressure:

- 60 bar (870 psi)

Pressure Ratio:

- $P2=9,5x(P1-0,67)$

Temperature:

- from 32 to 176°F

Range of viscosity:

- 50 to 750 mm²/s

IDEAL FOR

- Daily or up to each minute oil lubrication

- For use with Bielomatik dispensing valves or dosing elements

APPLICATIONS

- Bigger machines in the industry

- Single point lubrication with oil

- Machine tools, general machinery, packaging machines

AM SINGLE PISTON PUMP

The single piston pump AM is a robust pneumatic pump. It is suitable for automatic lubrications, which must be done several times daily to maximum once per minute.

TECHNICAL INFORMATION

General

Type	Single piston pump
Lubrication line connection	Pipe connection Ø 6 mm
Ambient temperature	From 32 to 176°F (from 0 to 80 °C)
Filling	manual
Protection class as per EN60529	IP 64

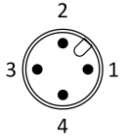
Hydraulic system

Max. pressure	60 bar (870 psi)
Pressure Ratio	$P2=9,5x(P1-0,67)$
Flow rate	25 mm ³ /stroke
Operating medium	Mineral oil
Range of viscosity	50 to 750 mm ² /s

Drive

Type of drive	pneumatic
Supply pressure	From 4 to 6 bar
Supply fitting	G ¼ "

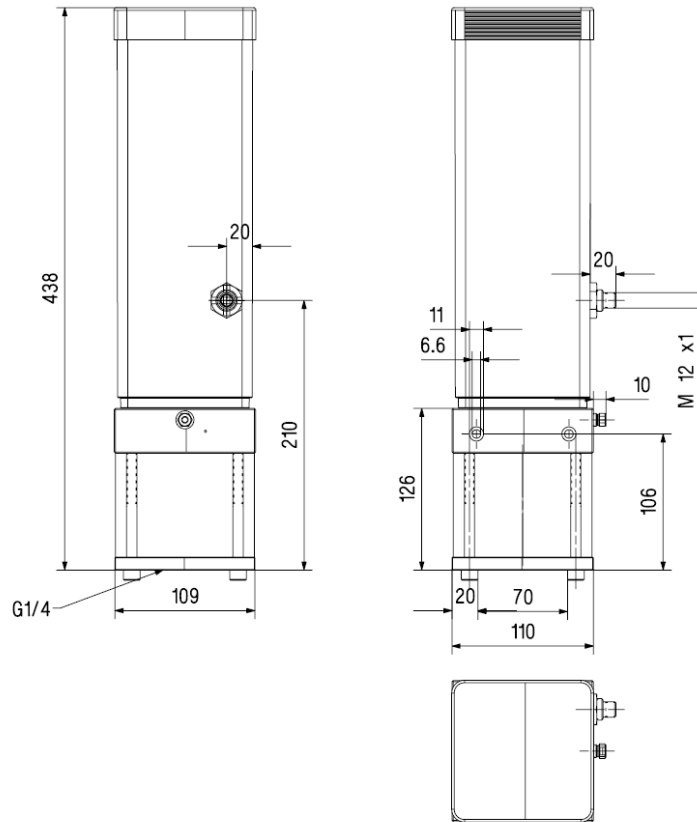
Sensor system

Level control	
Switching voltage	≤ 24 V AC/DC
Switching current	≤ 100 mA (≥ 5 mA)
Connection	M12 x 1
	1 – L+ 4 – NC (Open when medium empty)





TECHNICAL INFORMATION



Order summary

Container Size [l]	Level control	Order number
3,0	Oil	P30011626

Spare Parts:

Order number	Designation
P30400600	Cap
P30215201	Double taper ring
P30256621	Cap screw
P30039041	Screw cap
P30200659	Washer
P30050085	Filling sieve

Accessories

Order number	Designation
P62004053	Fixing screw
P62004190	Fixing screw
P62050004	Locking washer
P30023403	3/2-way valve set, 24 V DC, 3 W
P30023404	3/2-way valve set, 230 V AC, 6.5 W
P67202034	Connection cable 5 m, cable box; for level control