



CHARACTERISTICS

Max pressure:
- 7 bar (101 psi)

Temperature:
- from 32 to 140 °F

Range of viscosity:
- from 10 to 750 mm²/s,

Dosing pump AG

Dosing pump AG is a compact lubrication system with a 24 V magnet pump. It is suitable for supplying one to four lubrication points directly with lubricant, which must be done several times daily to maximum once per minute. They have stroke monitoring, through which a lubrication process can be monitored. You may also get different container sizes on request.

Detailed information under TA 308 13 091.



TECHNICAL INFORMATION

General

Type	Dosing pumps
Lubrication line connection	Pipe connection Ø 6 mm
Ambient temperature	From 32 to 140 °F (from 0 to 60 °C)
Filling	manual
Protection class as per EN60529	IP 65

IDEAL FOR

- One to four lubrication points

Hydraulic system

Max. counter pressure	7 bar (101 psi)
Flow rate	25 mm ³ /stroke (activation)
Operating medium	Mineral oil
Range of viscosity	from 10 to 750 mm ² /s

Drive

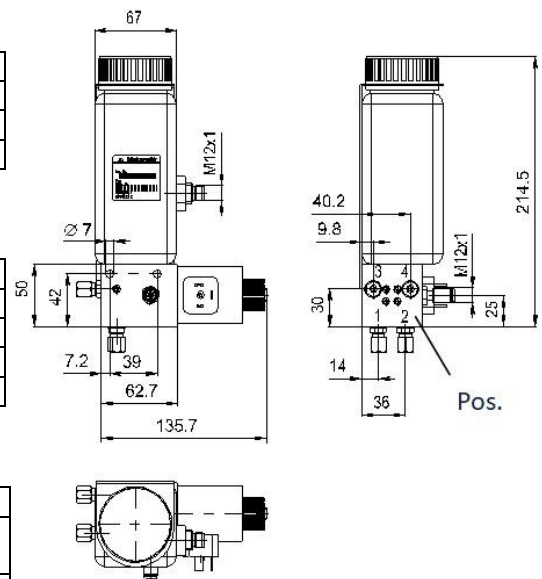
Type of drive	Electrical
Supply voltage	24 V DC
Supply current	1.2 A
Power consumption	30 W
Connection	Angled plug connector DIN43650A

Sensor system

Level control		Stroke monitoring	
Switching voltage	≤ 24 V	Nominal voltage	≤ 24 V
Switching current	≤ 0.5 A	Switching current	≤ 300 mA
-	-	Power consumption	≤ 15 mA
Connection	M12 x 1	Connection	M12 x 1

Order summary

Container Size [l]	Number of outlets	Order number
0,5	1 (pos.4)	P30013091
0,5	2 (pos. 3 and 4)	P30013092
0,5	3 (pos. 2, 3 and 4)	P30013093
0,5	4 (pos. 1, 2, 3 and 4)	P30013094



APPLICATIONS

- Small machines
- Single point lubrication with oil