

# AI-P

## Single piston pump



### CHARACTERISTICS

**Pump pressure:**

- 145 bar

**Displacement:**

- 3 cm<sup>3</sup>/stroke

**Filling quantity:**

- 0.8 kg

**Drive method:**

- pneumatic

### IDEAL FOR

- Fluid Grease or Grease

- Use with progressive dividers

- Lubrication cycles from 1x/min to 1x/day

### APPLICATIONS

- General industry

- Use in progressive systems

- Single point lubrication with grease

## AI-P single piston pump

The single piston pump AB-P is a robust pneumatic pump. It is suitable for automated lubrication, from several times daily to once per minute.

### TECHNICAL INFORMATION

#### General

Type	Single piston pump
Tank	0,8L
Lubrication line connection	Pipe connection Ø 8 mm
Ambient temperature	From 32 to 104 °F (from 0 to 40 °C)
Filling	Filling device
Protection class as per EN60529	IP 54

#### Hydraulic system

Operating pressure	145 bar
Displacement	3 cm <sup>3</sup> /stroke
Operating medium	Fluid grease, grease
Range of viscosity	NLGI 000 – 2*

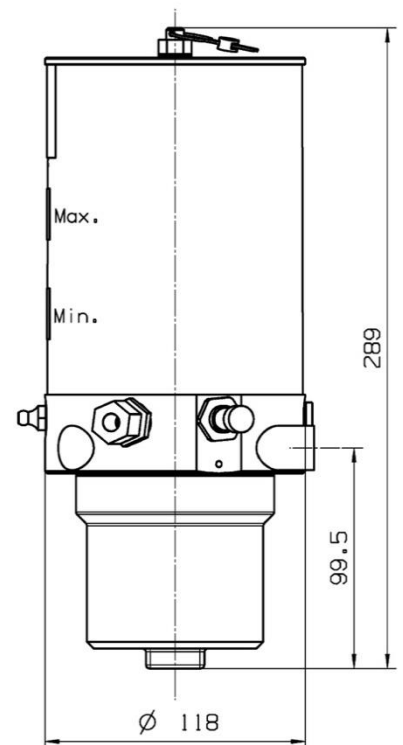
\* as per fluid grease release list

#### Drive

Type of drive	pneumatic
Air Supply pressure	4-6 bar
Air Supply fitting	G ¼"

#### Sensor system

Level control	Ind. Switch	Mech. Switch
Nominal voltage	24 V DC	Max 30VDC Max 250VAC
Power consumption	≤ 20 mA	-
Switching current	≤ 200 mA	Max. 3A
Connection	M12 x 1	DIN 63450

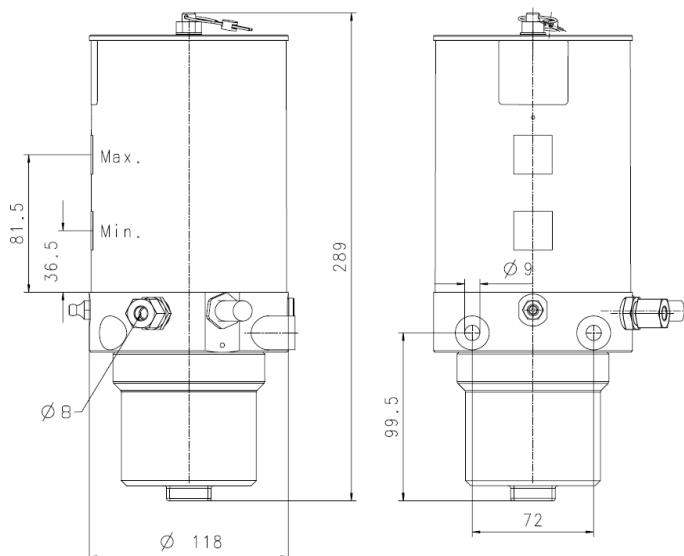


# AI-P

## Single piston pump



**bielomatik**  
SCHMIERTECHNIK  
**DropsA**



### Order Information:

Order Number	Outlet	Level Switch	Other
P30011402	Ø8mm	Mech. Switch, DIN 43650 Connection	Incl. Female Connector
P30011403	Ø8mm	Mech. Switch, DIN 43650 Connection	Without Female Connector
P30011406	Ø8mm	Inductive proximity switch, M12x1 connection	

### Electrical Connection:

Version mech. Switch DIN 43650	Version Inductive Switch M12x1
1 – max. 30VDC / 250VAC 2 - NC 3 - NO	1 – 10..30VDC 2 – n.c. 3 – Ground / Masse 4 - NO

CB2341PE WK 44/20

DropsABielomatikSchmiertechnikGmbH products can be purchased at DropsABielomatikSchmiertechnik GmbH branches and authorised distributors. Write to [info@bielomatik-lubrication.de](mailto:info@bielomatik-lubrication.de)

Distributor Info:

[www.bielomatik-lubrication.de](http://www.bielomatik-lubrication.de)  
[www.dropsa.com](http://www.dropsa.com)