

## Characteristics

- **Standard Equipment:** refilling filter, electric minimum level and a pumping unit fixed or adjustable delivery.
- Standard version can be integrated with up to three pumping unit.
- **Two pumping units available:**  
 $\varnothing 6 \text{ mm} = 10 \text{ cm}^3/\text{min}$  delivery;  
 $\varnothing 8 \text{ mm} = 17 \text{ cm}^3/\text{min}$  delivery.
- **Proven pumping technology:** for 999 series pump elements.
- **Pressure:** 300 bar (4410 psi)
- **Fixed and adjustable:** pump elements

## Advantages

- **Reduced Investment:** 989 pump series is ideal for application that require compact and low cost product.
- **999 pump elements:** all the pump units can be interchanged with 999 series.
- **Versatile:** combining three pump elements for higher output or manage up to three lubrication lines.

## Applications

- Small-medium machine tools like CNC or press.
- Wide range of applications including: wood or glass working machine tools.

# 989 pump series

Compact and low cost; ideal for applications on small-medium size machine tools.



### COMPACT AND LOW COST

989 pump series is ideal for applications where space and costs are key factors. The pump is perfectly integrated with the 999 pump series from which it inherits the main features like: modularity, quality and performance. For these reasons Series 989 represents the perfect solution for an extensive range of midsize applications.

### STANDARD EQUIPMENT

The standard version is ready equipped to satisfy the requirements in small-medium machine tools applications. The standard version of the pump is complete with refilling filter, electric minimum level, a pumping unit with 6 mm or 8 mm diameter.

### FIT YOUR APPLICATION NEEDS

989 pump series can fit the changing needs of your application. The availability of installing up to two pumping unit (with fixed or adjustable delivery) gives you two options: to triple the standard flow or connect three lubrication lines directly to the pump.

Fixed or adjustable delivery are available. The adjustable delivery is: 1,4 – 10  $\text{cm}^3/\text{min}$  for 6mm diameter pump element and 2,5 – 17  $\text{cm}^3/\text{min}$  for the 8mm diameter.

## Contacts

[www.dropsa.com](http://www.dropsa.com)  
[sales@dropsa.com](mailto:sales@dropsa.com)

### ITALY

Dropsa SpA  
 t. +39 02-250791  
 f. +39 02-25079767

### U.K.

Dropsa (UK) Ltd  
 t. +44 (0)1784-431177  
 f. +44 (0)1784-438598

### GERMANY

Dropsa GmbH  
 t. +49 (0)211-394-011  
 f. +49 (0)211-394-013

### FRANCE

Dropsa Ame  
 t. +33 (0)1-3993-0033  
 f. +33 (0)1-3986-2636

### CHINA

Dropsa Lubrication Systems  
 (Shanghai) Co., Ltd  
 t. +86 (021) 67740275  
 f. +86 (021) 67740205

### U.S.A.

Dropsa Corporation  
 t. +1 586-566-1540  
 f. +1 586-566-1541

### AUSTRALIA

Dropsa Australia Ltd.  
 t. +61 (0)2-9938-600644  
 f. +61 (0)2-9938-6611

### BRAZIL

Dropsa  
 t. +55 (0)11-563-10007  
 f. +55 (0)11-563-19408

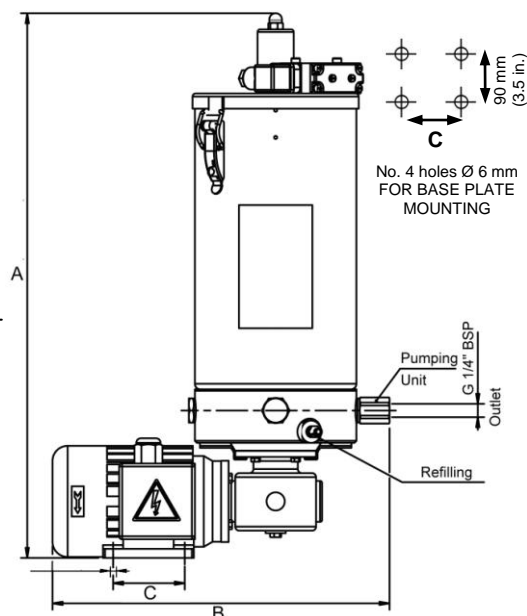
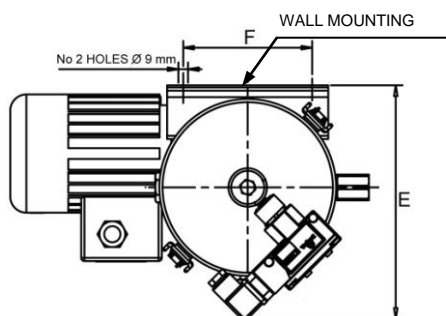
## Technical Information

### TECHNICAL INFORMATIONS

Max. Working Pressure	300 Bar ( 4410 psi)
Max. Fixed delivery (pump unit Ø6 mm)	10 cm <sup>3</sup> / min (0.61 cu. in/min)
Max. Fixed delivery (pump unit Ø8 mm)	17 cm <sup>3</sup> / min (1.03 cu. in/min)
Adjustable Delivery (pump unit Ø6 mm)	1,4-10 cm <sup>3</sup> /min (0.085 – 0.61 cu. in. min)
Adjustable Delivery (pump unit Ø8 mm)	2,5-17 cm <sup>3</sup> /min (0.15 – 1.03 cu. in. min)
No. Of pump units	From 1 to 3
Reservoir	5 kg. (11 lb)
Lubricant	Grease
Viscosity at working temperature	NLGI 000, NLGI 2
Working temperature	+ 10° C ÷ + 40° C (+50° ÷ +104° F)
Motor voltage	220/380 V – 50/60 Hz
Absorption	90 W at 220/380 V – 100 W at 24V DC

### DIMENSIONS

Pos.	mm (in.)
A	539,5 (21.24)
B	334 (13.15)
C	71 (2.79)
D	220 (8.66)
E	120 (4.72)



## Ordering Information

### FIXED DELIVERY VERSIONS

	Part No.	Description
220/380 V 50/60 Hz	<b>989001</b>	Grease Electro-pump 1 pumping unit Ø 6 mm
	<b>989002</b>	Grease Electro-pump 1 pumping unit Ø 8 mm
24 V DC*	<b>989011</b>	Grease Electro-pump 1 pumping unit Ø 6 mm
	<b>989012</b>	Grease Electro-pump 1 pumping unit Ø 8 mm

### ADJUSTABLE DELIVERY VERSIONS

	Part No.	Description
220/380 V 50/60 Hz	<b>989003</b>	Grease Electro-pump 1 pumping unit Ø 6 mm
	<b>989004</b>	Grease Electro-pump 1 pumping unit Ø 8 mm
24 V DC*	<b>989013</b>	Grease Electro-pump 1 pumping unit Ø 6 mm
	<b>989014</b>	Grease Electro-pump 1 pumping unit Ø 8 mm

(\*) For 24V version the motor is supplied with 1 mt (3.28 ft) without terminal

### ACCESSORIES

Part No.	Description
<b>299642C</b>	Pump unit Ø 6 mm fixed delivery 10 cm <sup>3</sup> /min (0.61 cu. in/min)
<b>299643C</b>	Pump unit Ø 8 mm fixed delivery 17 cm <sup>3</sup> /min (1.03 cu. in/min)
<b>299041C</b>	Pump unit Ø 6 mm adjustable delivery 1,4-10 cm <sup>3</sup> /min (0.085 – 0.61 cu. in. min)
<b>299042C</b>	Pump unit Ø 8 mm adjustable delivery 2,5-17 cm <sup>3</sup> /min (0.15 – 1.03 cu. in. min)
<b>888036</b>	By Pass 0-250 Bar
<b>3292099</b>	Pressure gauge 0-400 Bar